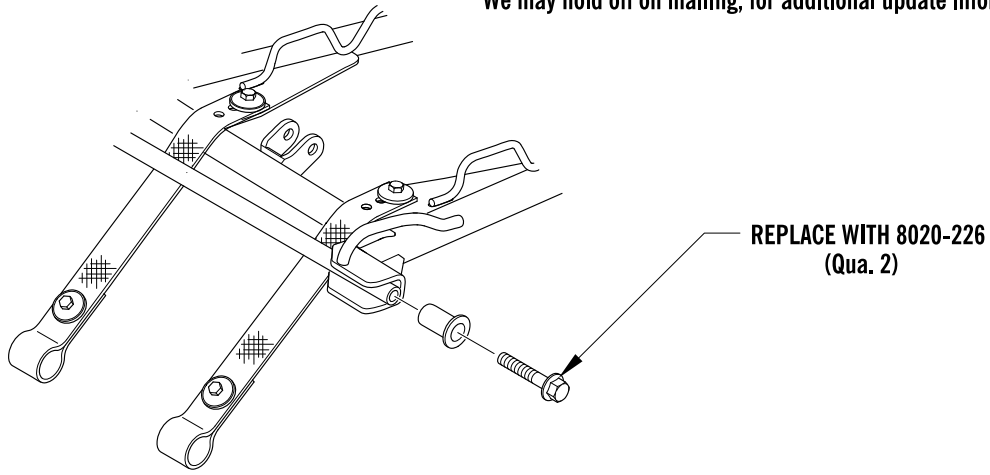
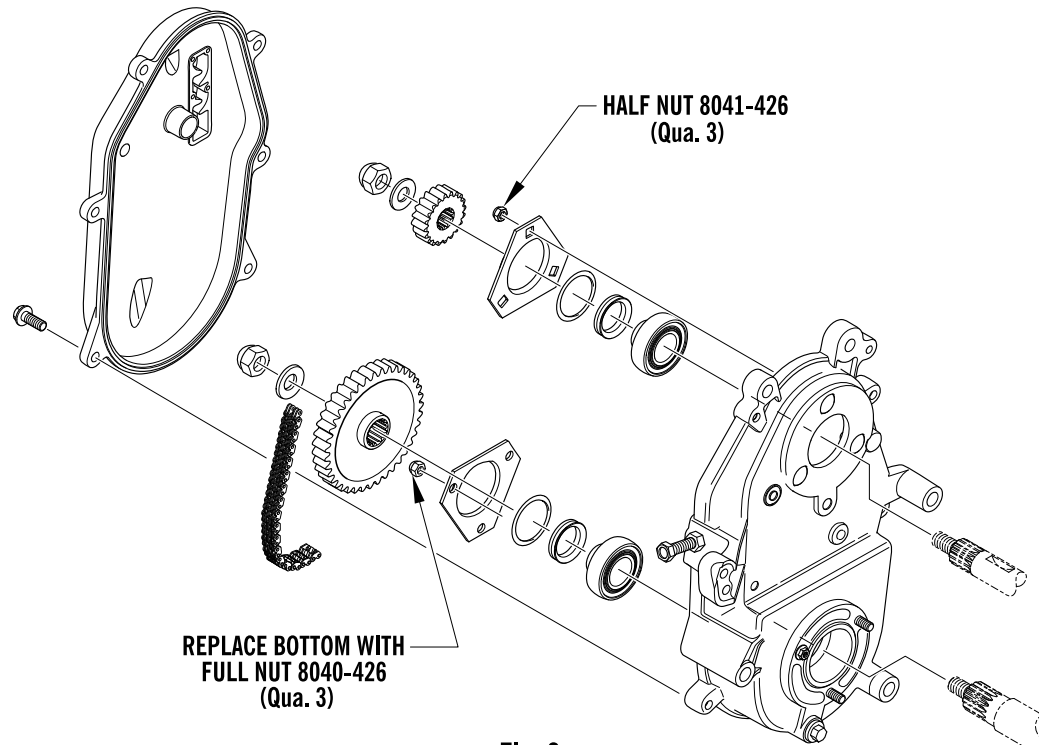
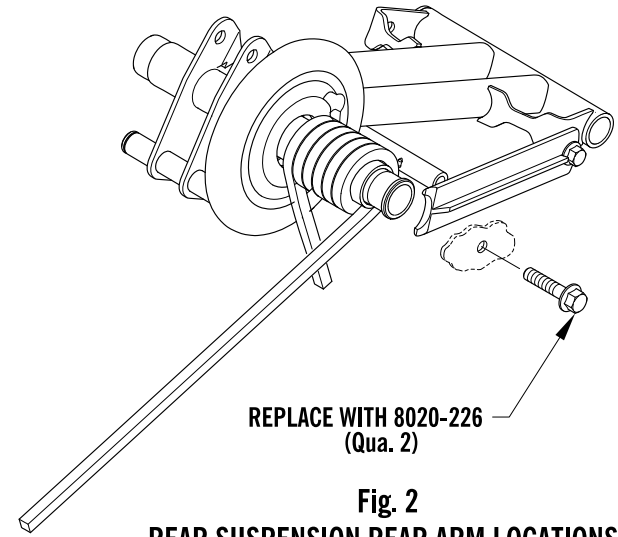


NOTE: It has been determined that the hardware in the following locations does NOT meet Arctic Cat specifications. Please replace existing hardware were indicated in Fig. 1 - Fig. 3.

The Arctic Cat Race Dept. will be sending the hardware, or it will be made available at the Duluth race. We may hold off on mailing, for additional update information and setup as we learn more during testing.



**Fig. 1
REAR SUSPENSION FRONT ARM LOCATIONS**



**Fig. 3
DRIVE/DROP CASE LOCATIONS**